

### **CDMA-05**

**Features:**

Specially Designed for CDMA Repeater  
Conforms to Technical Standards of ITU  
High Rejection  
High Power Handling Ability

**Applications:**

CDMA Optical Fiber Repeater

**Electrical Specifications:**

Frequency Range: 825 to 835MHz  
Insertion Loss: 2dB maximum  
1.5dB typical  
Ripple in Band: 1dB p-p maximum  
Return Loss: 20dB minimum  
Rejection out band:  
≥40dB @  $f_0 \pm 7.5\text{MHz}$   
≥90dB @  $f_0 \pm 40\text{MHz}$

**Power Handling:**

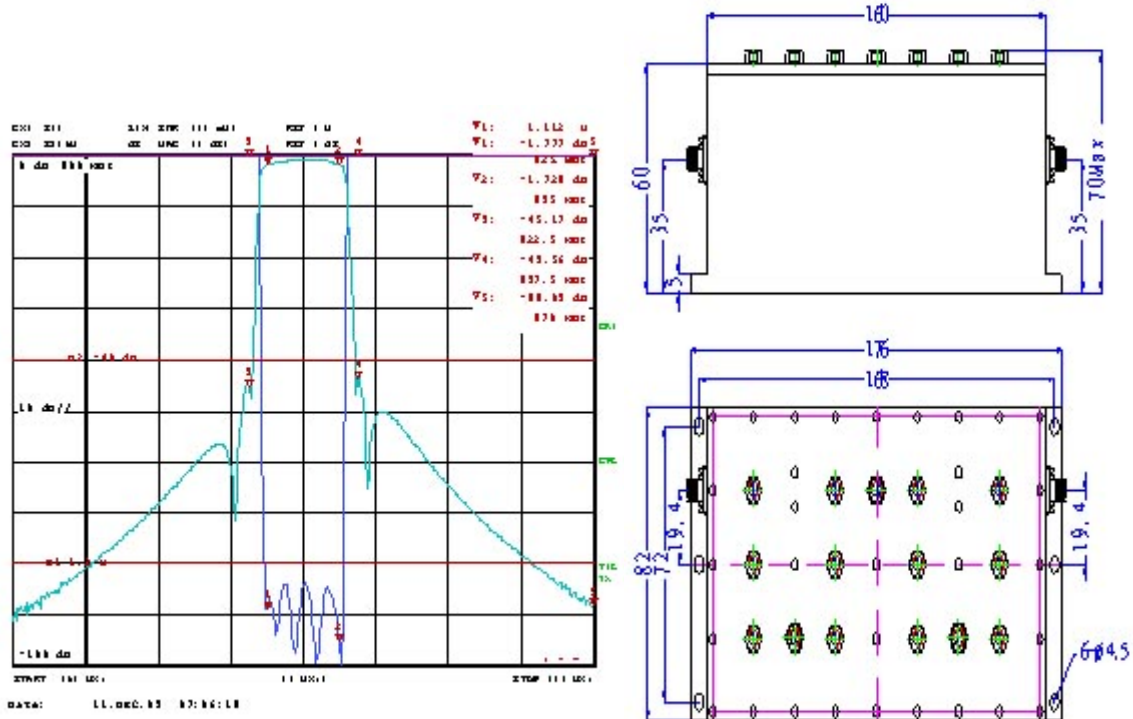
Power of CDMA signal: 50 watts  
**Operating Temperature:** -30 to +55 °C  
**Storage Temperature:** -40 to +85 °C  
**Operating Humidity:** 0 to 90%, relative  
**Connectors:** SMA/SMA

**CALL OUR SALES DEPARTMENT FOR MORE INFORMATION OR VARIATIONS OF THIS PRODUCT.**

**Corry Micronics, Inc. One Plastics Rd. - Corry, PA 16407**  
**(814) 664-7728 Fax (814) 664-4582 [www.cormic.com](http://www.cormic.com)**

Corry Micronics Inc. herein referred to CMI, believes this information to be accurate, but makes no warranties, expressed or implied as to the accuracy of this document. CMI assumes no liability for any injury, loss, damage, direct or consequential arising from the use of our products. User assumes all risk whatsoever in connection with it's intended use. CMI also reserves the right to change this document without notice.

### Outline Drawing:



### Notes:

Connectors are optional of N or SMA, according to requirement.

**CALL OUR SALES DEPARTMENT FOR MORE INFORMATION OR VARIATIONS OF THIS PRODUCT.**

**Corry Micronics, Inc. One Plastics Rd. - Corry, PA 16407  
(814) 664-7728 Fax (814) 664-4582 [www.cormic.com](http://www.cormic.com)**

Corry Micronics Inc. herein referred to CMI, believes this information to be accurate, but makes no warranties, expressed or implied as to the accuracy of this document. CMI assumes no liability for any injury, loss, damage, direct or consequential arising from the use of our products. User assumes all risk whatsoever in connection with it's intended use. CMI also reserves the right to change this document without notice.

### **CDMA-06**

**Features:**

Specially Designed for CDMA Repeater  
Conforms to Technical Standards of ITU  
High Rejection  
High Power Handling Ability

**Applications:**

CDMA Optical Fiber Repeater



**Electrical Specifications:**

Frequency Range: 870 to 880MHz  
Insertion Loss: 2dB maximum  
1.5dB typical  
Inband Ripple: 1dB p-p maximum  
Return Loss: 20dB minimum  
Outband Rejection:  
≥40dB @  $f_0 \pm 7.5\text{MHz}$   
≥90dB @  $f_0 \pm 40\text{MHz}$

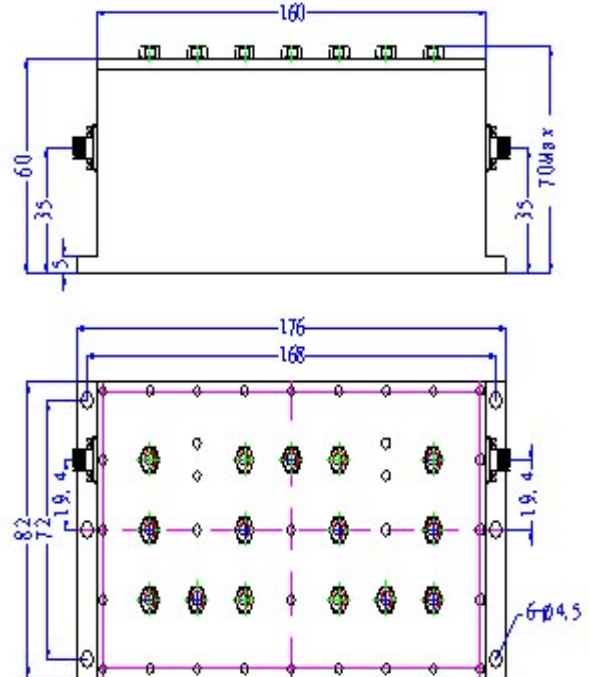
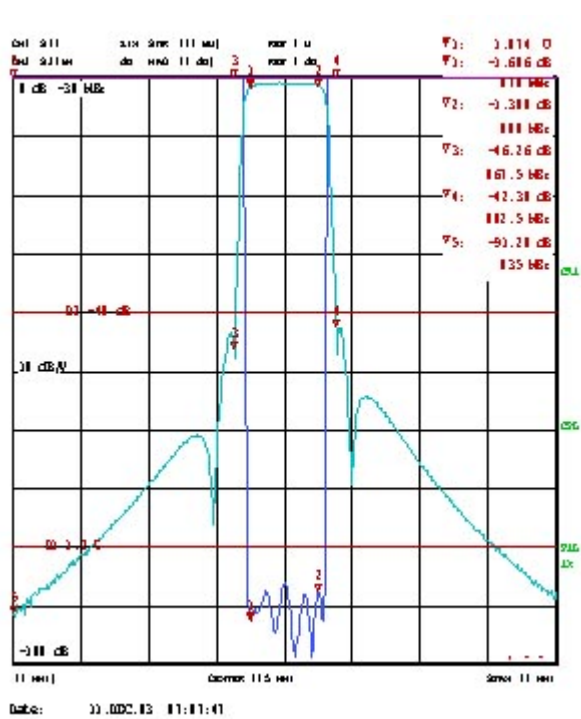
**Power Handling:** CDMA Signal Power: 50 watts  
**Operating Temperature:** -30 to +55 °C  
**Storage Temperature:** -40 to +85 °C  
**Operating Humidity:** 0 to 90%, relative  
**Connectors:** SMA/SMA

**CALL OUR SALES DEPARTMENT FOR MORE INFORMATION OR VARIATIONS OF THIS PRODUCT.**

**Corry Micronics, Inc. One Plastics Rd. - Corry, PA 16407**  
**(814) 664-7728 Fax (814) 664-4582 [www.cormic.com](http://www.cormic.com)**

Corry Micronics Inc. herein referred to CMI, believes this information to be accurate, but makes no warranties, expressed or implied as to the accuracy of this document. CMI assumes no liability for any injury, loss, damage, direct or consequential arising from the use of our products. User assumes all risk whatsoever in connection with it's intended use. CMI also reserves the right to change this document without notice.

### Outline Drawing:



### Notes:

Connector type is optional of N-type or SMA according to requirement.

**CALL OUR SALES DEPARTMENT FOR MORE INFORMATION OR VARIATIONS OF THIS PRODUCT.**

**Corry Micronics, Inc. One Plastics Rd. - Corry, PA 16407**  
**(814) 664-7728 Fax (814) 664-4582 [www.cormic.com](http://www.cormic.com)**

Corry Micronics Inc. herein referred to CMI, believes this information to be accurate, but makes no warranties, expressed or implied as to the accuracy of this document. CMI assumes no liability for any injury, loss, damage, direct or consequential arising from the use of our products. User assumes all risk whatsoever in connection with it's intended use. CMI also reserves the right to change this document without notice.

### **WCDMA-01**

**Features:**

Specially Designed for 3G Communication System  
Confirms to ITU Technical Standards  
High Rejection  
High Power Handling Capability

**Applications:**

WCDMA 3G Communication Equipment



**Technical Specifications:**

Frequency Range: 1920 to 1980MHz  
Insertion Loss: 1dB maximum  
0.8dB typical  
Inband Ripple: 0.5dB p-p maximum  
Return Loss: 18dB minimum  
Outband Rejection:  
≥45dB @ 1900MHz ~ 2000 MHz  
≥90dB @ 2110 ~ 2170MHz

**Power Handling:** 100 watts

**Operating Temperature:** -30 to +75 °C

**Storage Temperature:** -40 to +85 °C

**Operating Humidity:** 0 to 90%, relative

**Dimension:** 124×62×28mm

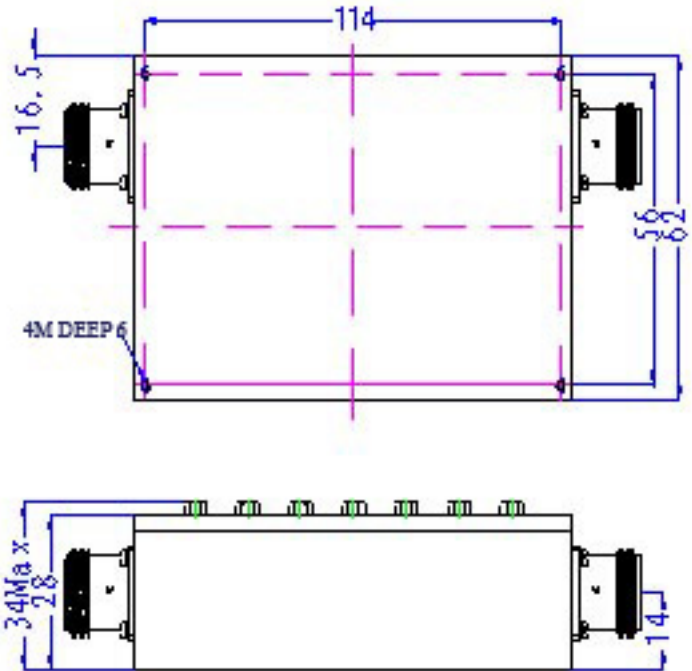
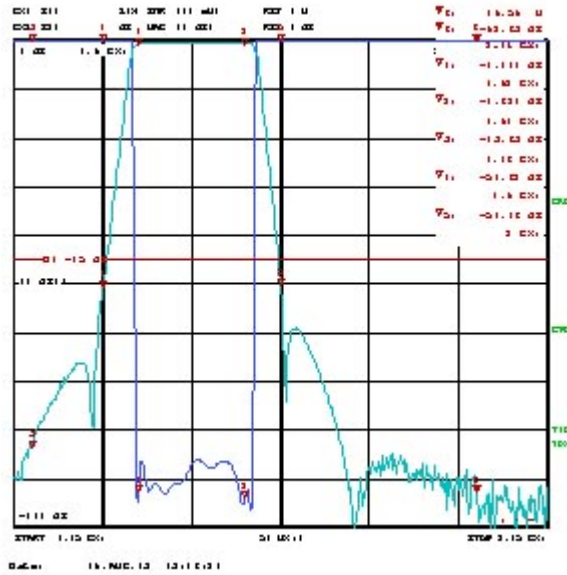
**Connectors:** SMA/N

**CALL OUR SALES DEPARTMENT FOR MORE INFORMATION OR VARIATIONS OF THIS PRODUCT.**

**Corry Micronics, Inc. One Plastics Rd. - Corry, PA 16407**  
**(814) 664-7728 Fax (814) 664-4582 [www.cormic.com](http://www.cormic.com)**

Corry Micronics Inc. herein referred to CMI, believes this information to be accurate, but makes no warranties, expressed or implied as to the accuracy of this document. CMI assumes no liability for any injury, loss, damage, direct or consequential arising from the use of our products. User assumes all risk whatsoever in connection with it's intended use. CMI also reserves the right to change this document without notice.

**Outline Drawing:**



**Notes:**

Connector type is optional of N-type or SMA, according to requirement.

**CALL OUR SALES DEPARTMENT FOR MORE INFORMATION OR VARIATIONS OF THIS PRODUCT.**

**Corry Micronics, Inc. One Plastics Rd. - Corry, PA 16407**  
**(814) 664-7728 Fax (814) 664-4582 [www.cormic.com](http://www.cormic.com)**

Corry Micronics Inc. herein referred to CMI, believes this information to be accurate, but makes no warranties, expressed or implied as to the accuracy of this document. CMI assumes no liability for any injury, loss, damage, direct or consequential arising from the use of our products. User assumes all risk whatsoever in connection with it's intended use. CMI also reserves the right to change this document without notice.

### **WCDMA-02**

**Features:**

Specially Designed for 3G Communication Systems  
Confirms to ITU Technical Standards  
High Rejection  
High Power Handling Capability

**Applications:**

WCDMA 3G Communication Equipment

**Technical Specifications:**

Frequency Range: 2110 to 2170MHz  
Insertion Loss: 1dB maximum  
0.8dB typical  
Inband Ripple: 0.5dB p-p maximum  
Return Loss: 18dB minimum  
Outband Rejection:  
≥45dB @ 2190MHz ~ 2090 MHz  
≥90dB @ 1920 ~ 1980MHz

**Power Handling:**100 watts

**Operating Temperature:** -30 to +75 °C

**Storage Temperature:** -40 to +85 °C

**Operating Humidity:** 0 to 90%, relative

**Dimension:**42×74×27mm

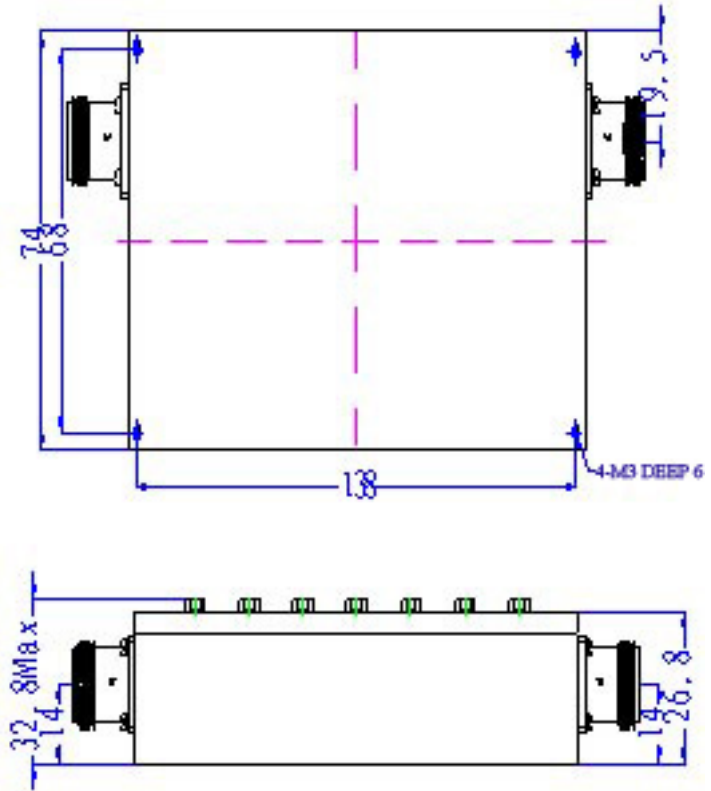
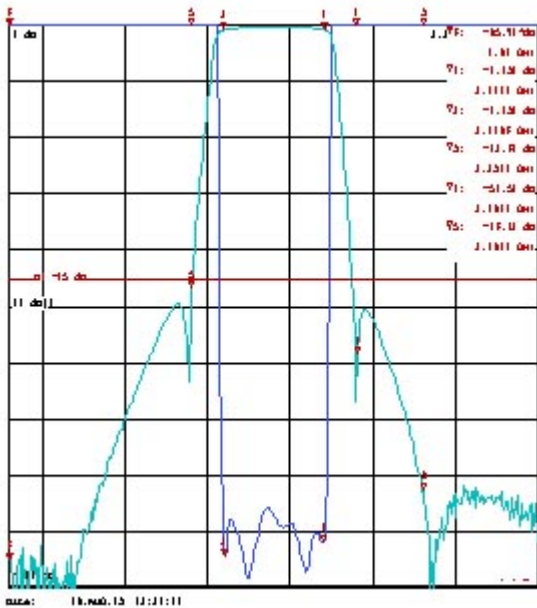
**Connectors:** SMA/N

**CALL OUR SALES DEPARTMENT FOR MORE INFORMATION OR VARIATIONS OF THIS PRODUCT.**

**Corry Micronics, Inc. One Plastics Rd. - Corry, PA 16407**  
**(814) 664-7728 Fax (814) 664-4582 [www.cormic.com](http://www.cormic.com)**

Corry Micronics Inc. herein referred to CMI, believes this information to be accurate, but makes no warranties, expressed or implied as to the accuracy of this document. CMI assumes no liability for any injury, loss, damage, direct or consequential arising from the use of our products. User assumes all risk whatsoever in connection with it's intended use. CMI also reserves the right to change this document without notice.

### Outline Drawing:



### Notes:

Ensure connectors are in flat connection with outer connectors.  
Connector type is optional of N-type or SMA, depending on requirements.  
Right reserved by CMI of revising this file and not notifying in advance.

**CALL OUR SALES DEPARTMENT FOR MORE INFORMATION OR VARIATIONS OF THIS PRODUCT.**

**Corry Micronics, Inc. One Plastics Rd. - Corry, PA 16407  
(814) 664-7728 Fax (814) 664-4582 [www.cormic.com](http://www.cormic.com)**

Corry Micronics Inc. herein referred to CMI, believes this information to be accurate, but makes no warranties, expressed or implied as to the accuracy of this document. CMI assumes no liability for any injury, loss, damage, direct or consequential arising from the use of our products. User assumes all risk whatsoever in connection with it's intended use. CMI also reserves the right to change this document without notice.

### **TDSCDMA**

**Features:**

Specially Designed for 3G TD-SCDMA Base Station  
Confirms to ITU Technical Standards  
Effectively Reject WCDMA Signal  
High Power Capability

**Applications:**

TDSCDMA Repeater, Base Station

**Technical Specifications:**

Operating Frequency: 2010 to 2025MHz  
Insertion Loss: 1.2dB maximum / 1dB typical  
Inband Ripple: 0.3dB p-p maximum  
Connectors: N/SMA  
Return Loss: 20dB minimum  
Outband Rejection:  
≥17dB @ 1962-1990MHz  
≥14dB @ 2045-4020MHz  
≥40dB @ 1914-1962MHz  
≥40dB @ 4020-12750MHz

**Power Handling:** 10 watts

**Operating Temperature:** -40 to +80 °C

**Storage Temperature:** -45 to +85 °C

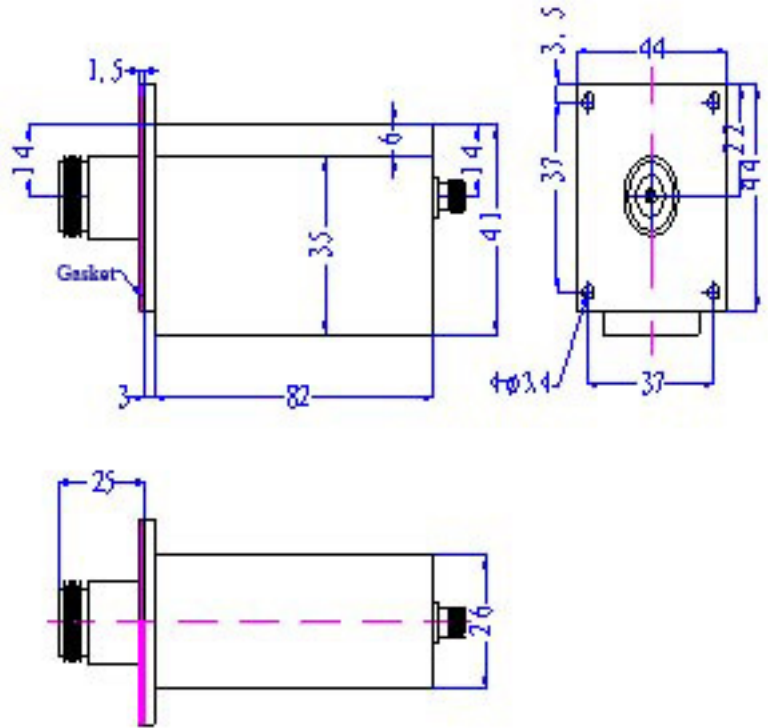
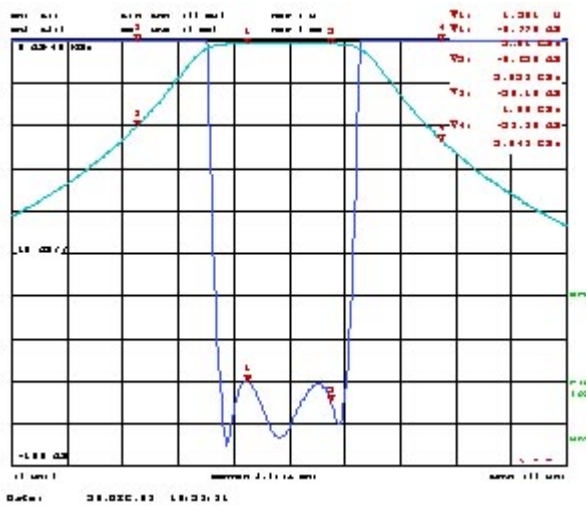
**Operating Humidity:** 0 to 90%, relative

**CALL OUR SALES DEPARTMENT FOR MORE INFORMATION OR VARIATIONS OF THIS PRODUCT.**

**Corry Micronics, Inc. One Plastics Rd. - Corry, PA 16407  
(814) 664-7728 Fax (814) 664-4582 [www.cormic.com](http://www.cormic.com)**

Corry Micronics Inc. herein referred to CMI, believes this information to be accurate, but makes no warranties, expressed or implied as to the accuracy of this document. CMI assumes no liability for any injury, loss, damage, direct or consequential arising from the use of our products. User assumes all risk whatsoever in connection with it's intended use. CMI also reserves the right to change this document without notice.

### Outline Drawing:



### Notes:

Connector type is optional of N-type or SMA, according to requirement.

**CALL OUR SALES DEPARTMENT FOR MORE INFORMATION OR VARIATIONS OF THIS PRODUCT.**

**Corry Micronics, Inc. One Plastics Rd. - Corry, PA 16407**  
**(814) 664-7728 Fax (814) 664-4582 [www.cormic.com](http://www.cormic.com)**

Corry Micronics Inc. herein referred to CMI, believes this information to be accurate, but makes no warranties, expressed or implied as to the accuracy of this document. CMI assumes no liability for any injury, loss, damage, direct or consequential arising from the use of our products. User assumes all risk whatsoever in connection with it's intended use. CMI also reserves the right to change this document without notice.