

### Lumped Element Couplers



### Surface Mount & Plug-In & Coaxial Connector

6-20CMIDB Coupling 50Ω												
Model No.	Freq. Range (MHz) fL-fU	Coupling		Mainline Loss (CMIDB)			Directivity(CMIDB)			VSWR	Power Input(W)	Case Style
		Nom.	Flatness	L	M	U	L	M	U			
				Typ/Max	Typ/Max	Typ/Max	Typ/Min	Typ/Min	Typ/Min			
CMIDS-6-1	5-400	6.5±0.5	±0.5	1.6/2.0	1.7/2.4	2.0/2.4	35/30	25/20	20/15	1.25	0.5	S2
CMIDS-10-2	5-700	12.7±0.5	±0.6	1.0/1.5	1.0/1.5	1.0/1.5	20/15	20/15	20/15	1.25	0.2	S2
CMIDS-10-4	5-1000	12.7±0.6	±1.0	1.0/1.5	1.0/1.5	1.5/1.8	20/18	20/18	20/18	1.25	0.5	S2
CMIDA-10-1	1-400	11.5±0.5	±0.5	0.6/0.9	0.8/1.1	0.9/1.3	50/35	35/20	20/15	1.2	1.0	A1
CMIDA-10-2	250-1000	10.5±0.5	±0.6	1.0/1.5	1.5/1.8	1.6/2.0	35/25	30/20	25/15	1.5	1.0	A1
CMIDA-10-5	1-2000	10.5±0.5	±1.0	1.2/1.9	1.3/1.9	2.0/2.5	35/25	30/20	20/18	1.3	0.5	A1
CMIDA-20-1W	10-700	19±0.5	±0.5	0.3/0.5	0.4/0.7	0.7/1.1	35/30	25/20	25/20	1.4	1.0	A1
CMIDB-6-1	10-400	6.3±0.4	±0.4	2.0/2.4	2.0/2.4	2.0/2.5	35/30	30/25	20/15	1.5	1.0	B2
CMIDB-10-1	1-400	10±0.5	±0.5	0.9/1.3	0.7/1.0	0.9/1.3	30/25	30/25	20/15	1.2	1.0	B2
CMIDB-10-2	5-1000	11±0.5	±0.6	1.4/1.8	1.5/1.8	1.6/2.0	50/35	25/20	20/15	1.5	0.5	B2
CMIDE-8-1	10-800	8±0.5	±0.5	1.6	1.5	1.6	25	20	15	1.5	0.5	E
CMIDE-12-1	10-800	12.7±0.5	±0.5	1.4	1.4	1.4	25	20	20	1.5	0.5	E
CMIDE-20-2	10-800	20±0.5	±0.5	0.25/0.5	0.4/0.7	0.7/1.2	35/30	25/20	22/20	1.5	0.5	E
CMIDT-15-2B	1-1000	15±0.5	±0.5	0.5/1.4	0.8/1	1.0/1.4	35/30	30/25	25/15	1.2	3.0	T14

**CALL OUR SALES DEPARTMENT FOR MORE INFORMATION OR VARIATIONS OF THIS PRODUCT.**

**Corry Micronics, Inc. One Plastics Rd. - Corry, PA 16407  
(814) 664-7728 Fax (814) 664-4582 [www.cormic.com](http://www.cormic.com)**

Corry Micronics Inc. herein referred to CMI, believes this information to be accurate, but makes no warranties, expressed or implied as to the accuracy of this document. CMI assumes no liability for any injury, loss, CMIDamage, direct or consequential arising from the use of our products. User assumes all risk whatsoever in connection with it's intenCMIDEd use. CMI also reserves the right to change this document without notice.



# PRODUCT SPECIFICATION

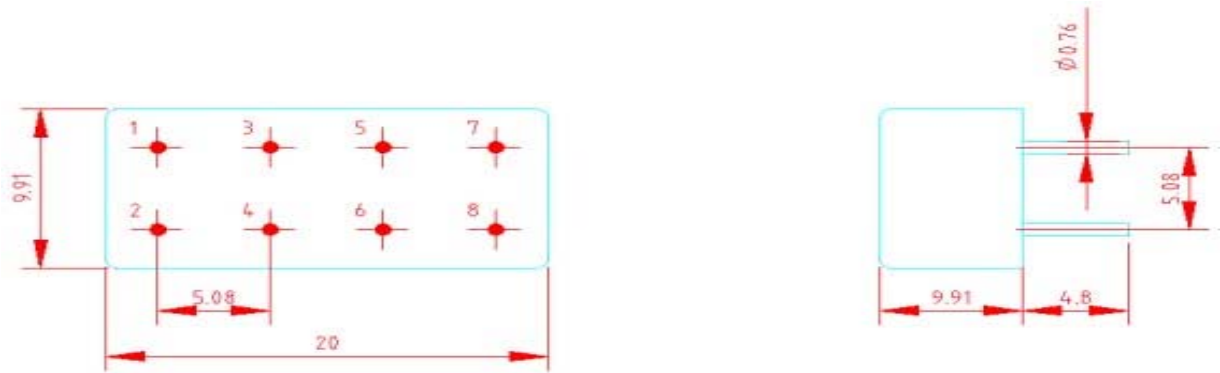
## Pin Connections:

Model No.	In	Out	Coupled(Forward)	Coupled(reverse)	Gnd Ext.
CMIDS1 DS2	1	6	3	4	2,5
CMIDA	1	4	3		2,5,7,8
CMIDB	1	2	4		3
CMIDE	2	1	3		4

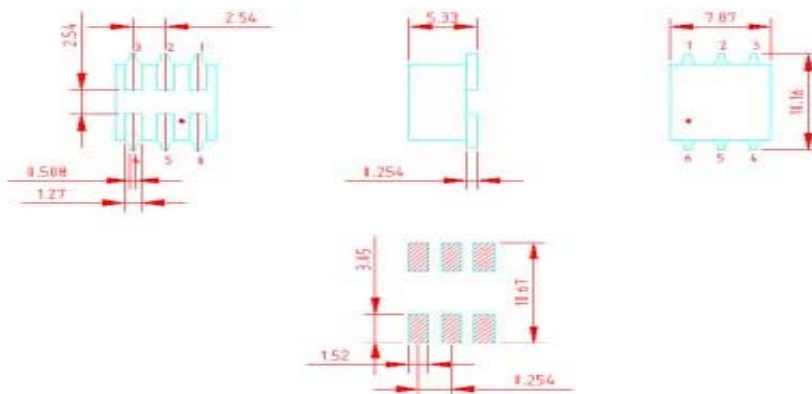
**CALL OUR SALES DEPARTMENT FOR MORE INFORMATION OR VARIATIONS OF THIS PRODUCT.**

**Corry Micronics, Inc. One Plastics Rd. - Corry, PA 16407  
(814) 664-7728 Fax (814) 664-4582 [www.cormic.com](http://www.cormic.com)**

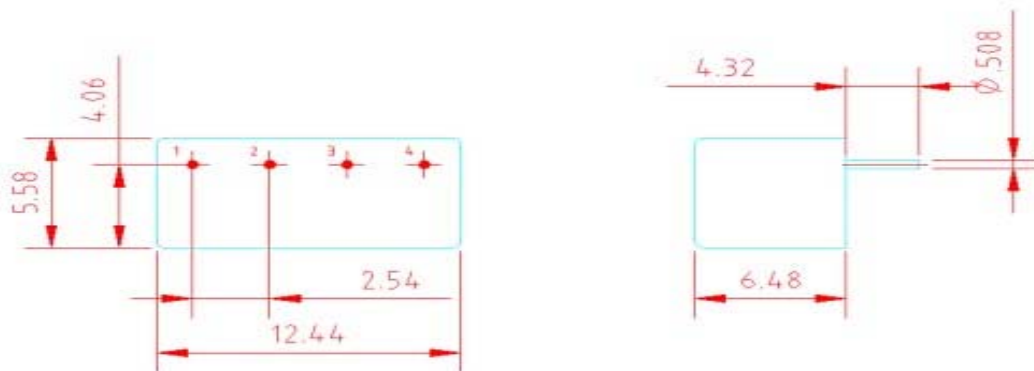
Corry Micronics Inc. herein referred to CMI, believes this information to be accurate, but makes no warranties, expressed or implied as to the accuracy of this document. CMI assumes no liability for any injury, loss, damage, direct or consequential arising from the use of our products. User assumes all risk whatsoever in connection with it's intended use. CMI also reserves the right to change this document without notice.



**A1**



**S2**

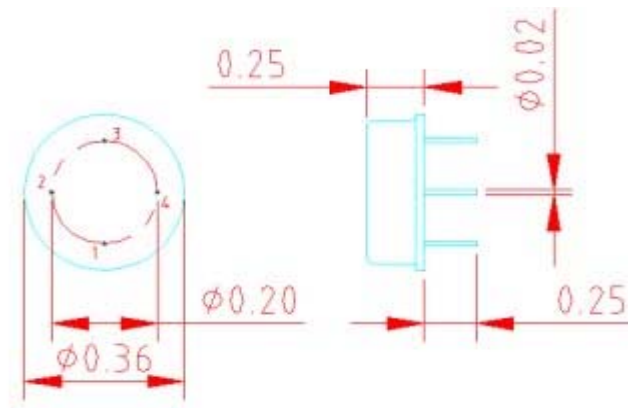


**B2**

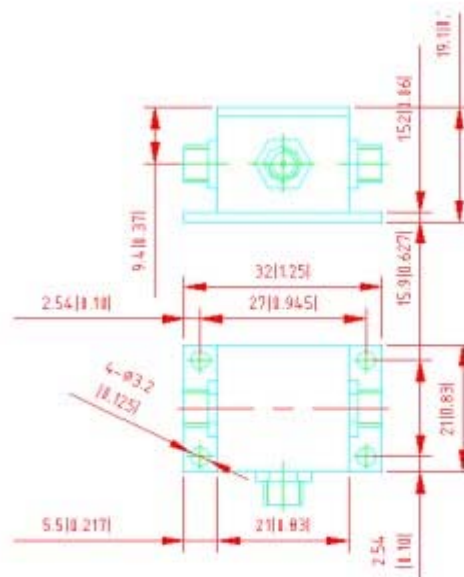
**CALL OUR SALES DEPARTMENT FOR MORE INFORMATION OR VARIATIONS OF THIS PRODUCT.**

**Corry Micronics, Inc. One Plastics Rd. - Corry, PA 16407  
(814) 664-7728 Fax (814) 664-4582 [www.cormic.com](http://www.cormic.com)**

Corry Micronics Inc. herein referred to CMI, believes this information to be accurate, but makes no warranties, expressed or implied as to the accuracy of this document. CMI assumes no liability for any injury, loss, damage, direct or consequential arising from the use of our products. User assumes all risk whatsoever in connection with it's intended use. CMI also reserves the right to change this document without notice.



**E**



**T14**

**CALL OUR SALES DEPARTMENT FOR MORE INFORMATION OR VARIATIONS OF THIS PRODUCT.**

**Corry Micronics, Inc. One Plastics Rd. - Corry, PA 16407  
(814) 664-7728 Fax (814) 664-4582 [www.cormic.com](http://www.cormic.com)**

Corry Micronics Inc. herein referred to CMI, believes this information to be accurate, but makes no warranties, expressed or implied as to the accuracy of this document. CMI assumes no liability for any injury, loss, damage, direct or consequential arising from the use of our products. User assumes all risk whatsoever in connection with it's intended use. CMI also reserves the right to change this document without notice.

### Ultra-Broadband Couplers (SMA Type)

**Features:**

- Flat Frequency Response
- Frequency Range: 0.5-18 GHz
- Multi-Octave Bandwidths
- Temperature Range: -54 to +125°C
- Meets MIL-E-5400 Environments

**Note:** The connectors material can be brass or stainless steel.



**Specifications:**

PART NUMBER	FREQ.RANGE	COUPLING	FREQ.SENSITIVITY (dB)	ISOLATION	VSWR	INSERTION*LOSS
CMID-A201-06 A0	0.5-2GHZ	6±1 db	±0.6db	20db	1.25	0.4db
CMID-A201-10 A0	0.5-2GHZ	10±1 db	±0.6db	20db	1.25	0.5db
CMID-A201-15 A0	0.5-2GHZ	15±1 db	±0.6db	20db	1.20	0.5db
CMID-A201-20 A0	0.5-2GHZ	20±1 db	±0.6db	20db	1.20	0.4db
CMID-A202-06 A0	1-4GHZ	6±1 db	±0.6db	20db	1.25	0.4db
CMID-A202-10 A0	1-4GHZ	10±1 db	±0.6db	20db	1.25	0.5db
CMID-A202-15 A0	1-4GHZ	15±1 db	±0.6db	20db	1.20	0.5db
CMID-A202-20 A0	1-4GHZ	20±1 db	±0.6db	20db	1.20	0.4db
CMID-A203-06 A0	2-8GHZ	6±1 db	±0.6db	20db	1.25	0.4db
CMID-A203-10 A0	2-8GHZ	10±1 db	±0.6db	20db	1.25	0.5db
CMID-A203-15 A0	2-8GHZ	15±1 db	±0.6db	20db	1.20	0.5db
CMID-A203-20 A0	2-8GHZ	20±1 db	±0.6db	20db	1.20	0.4db
CMID-A204-06 A0	6-18GHZ	6±1 db	±0.7db	15db	1.50	1.0db
CMID-A204-10 A0	6-18GHZ	10±1 db	±0.7db	14db	1.50	1.0db
CMID-A204-15 A0	6-18GHZ	15±1 db	±0.7db	12db	1.50	1.0db
CMID-A204-20 A0	6-18GHZ	20±1 db	±0.7db	12db	1.50	1.0db

**Notes:**

INSERTION LOSS (Excluding coupled power)

Given for reference only, a value which is the internal power dissipation of the device not including the power routed to other ports.

\*\*All published specifications apply by using a matched designed test fixture with testing performed at 23°C. Tests include VSWR, insertion loss and isolation. All measurements are performed in a 50 ohm impedance test system.

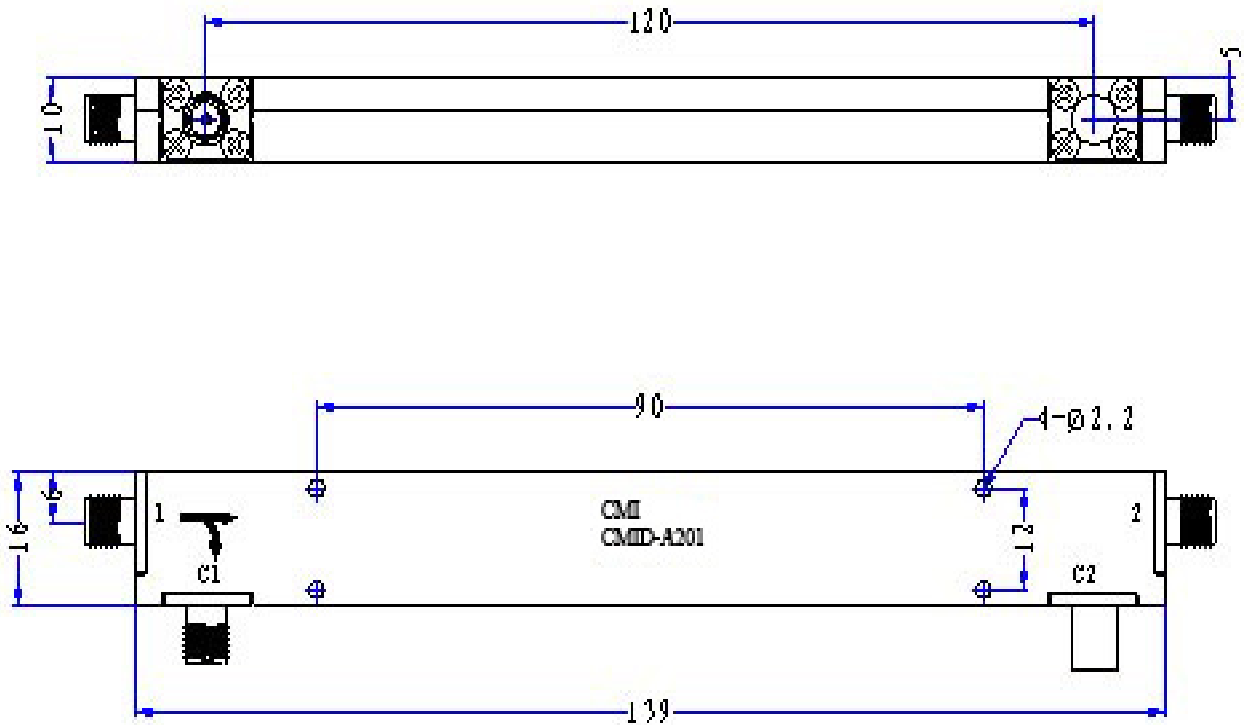
**CALL OUR SALES DEPARTMENT FOR MORE INFORMATION OR VARIATIONS OF THIS PRODUCT.**

**Corry Micronics, Inc. One Plastics Rd. - Corry, PA 16407  
(814) 664-7728 Fax (814) 664-4582 [www.cormic.com](http://www.cormic.com)**

Corry Micronics Inc. herein referred to CMI, believes this information to be accurate, but makes no warranties, expressed or implied as to the accuracy of this document. CMI assumes no liability for any injury, loss, damage, direct or consequential arising from the use of our products. User assumes all risk whatsoever in connection with it's intended use. CMI also reserves the right to change this document without notice.

Outlines:

CMID-A201

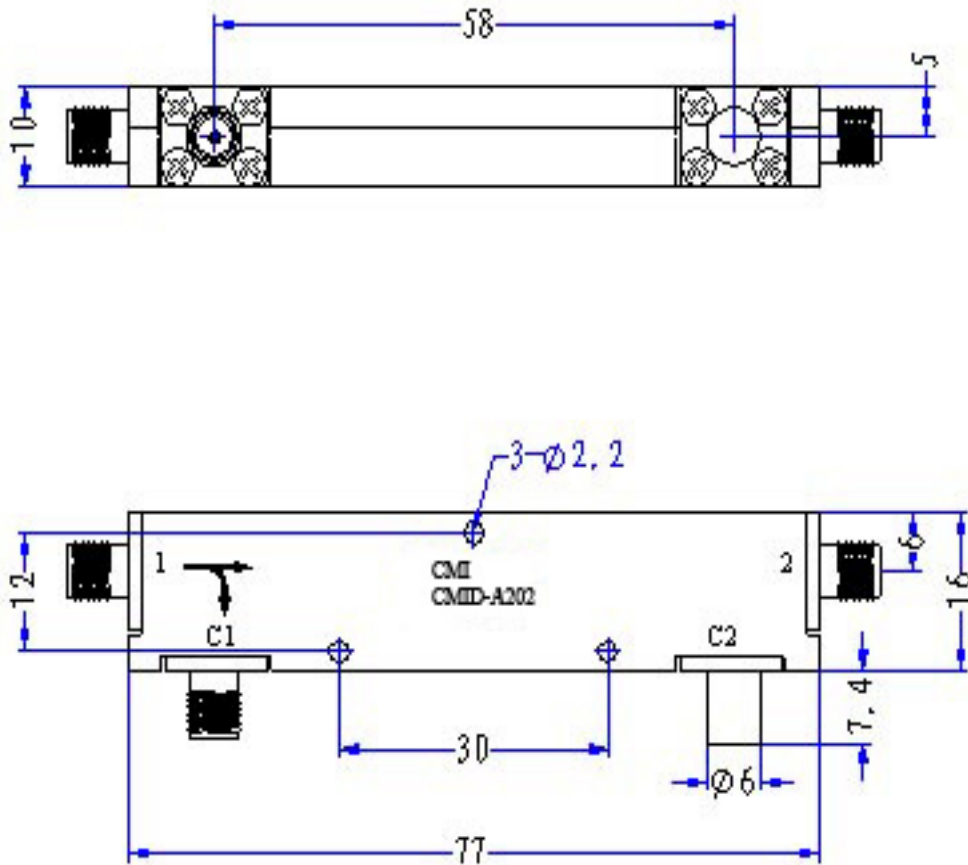


**CALL OUR SALES DEPARTMENT FOR MORE INFORMATION OR VARIATIONS OF THIS PRODUCT.**

**Corry Micronics, Inc. One Plastics Rd. - Corry, PA 16407  
(814) 664-7728 Fax (814) 664-4582 [www.cormic.com](http://www.cormic.com)**

Corry Micronics Inc. herein referred to CMI, believes this information to be accurate, but makes no warranties, expressed or implied as to the accuracy of this document. CMI assumes no liability for any injury, loss, damage, direct or consequential arising from the use of our products. User assumes all risk whatsoever in connection with it's intended use. CMI also reserves the right to change this document without notice.

### CMID-A202

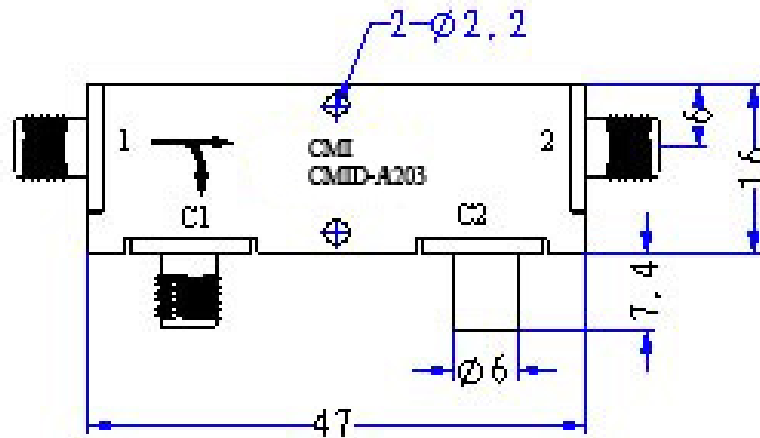
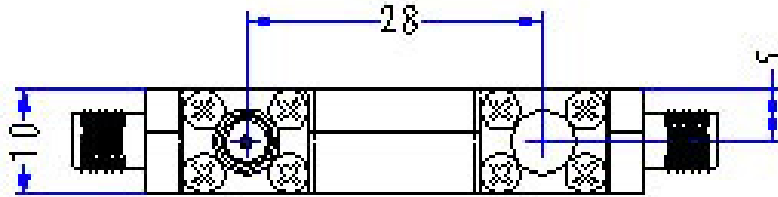


**CALL OUR SALES DEPARTMENT FOR MORE INFORMATION OR VARIATIONS OF THIS PRODUCT.**

**Corry Micronics, Inc. One Plastics Rd. - Corry, PA 16407**  
**(814) 664-7728 Fax (814) 664-4582 [www.cormic.com](http://www.cormic.com)**

Corry Micronics Inc. herein referred to CMI, believes this information to be accurate, but makes no warranties, expressed or implied as to the accuracy of this document. CMI assumes no liability for any injury, loss, damage, direct or consequential arising from the use of our products. User assumes all risk whatsoever in connection with it's intended use. CMI also reserves the right to change this document without notice.

CMID-A203

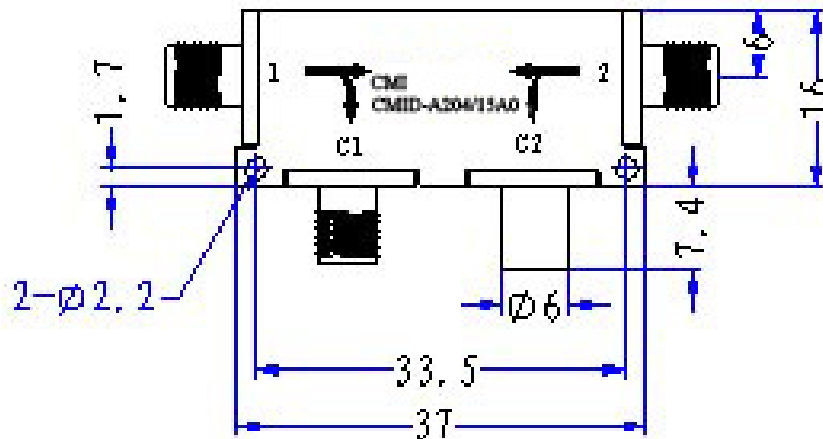
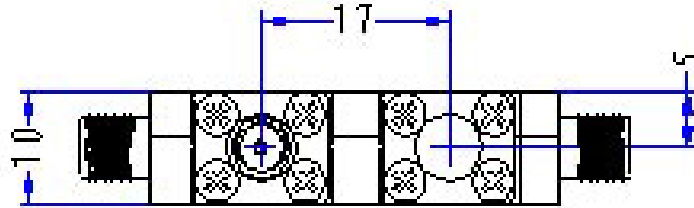


**CALL OUR SALES DEPARTMENT FOR MORE INFORMATION OR VARIATIONS OF THIS PRODUCT.**

**Corry Micronics, Inc. One Plastics Rd. - Corry, PA 16407**  
**(814) 664-7728 Fax (814) 664-4582 [www.cormic.com](http://www.cormic.com)**

Corry Micronics Inc. herein referred to CMI, believes this information to be accurate, but makes no warranties, expressed or implied as to the accuracy of this document. CMI assumes no liability for any injury, loss, damage, direct or consequential arising from the use of our products. User assumes all risk whatsoever in connection with it's intended use. CMI also reserves the right to change this document without notice.

CMID-A204



**CALL OUR SALES DEPARTMENT FOR MORE INFORMATION OR VARIATIONS OF THIS PRODUCT.**

**Corry Micronics, Inc. One Plastics Rd. - Corry, PA 16407**  
**(814) 664-7728 Fax (814) 664-4582 [www.cormic.com](http://www.cormic.com)**

Corry Micronics Inc. herein referred to CMI, believes this information to be accurate, but makes no warranties, expressed or implied as to the accuracy of this document. CMI assumes no liability for any injury, loss, damage, direct or consequential arising from the use of our products. User assumes all risk whatsoever in connection with it's intended use. CMI also reserves the right to change this document without notice.

### Communication Band Directional Coupler

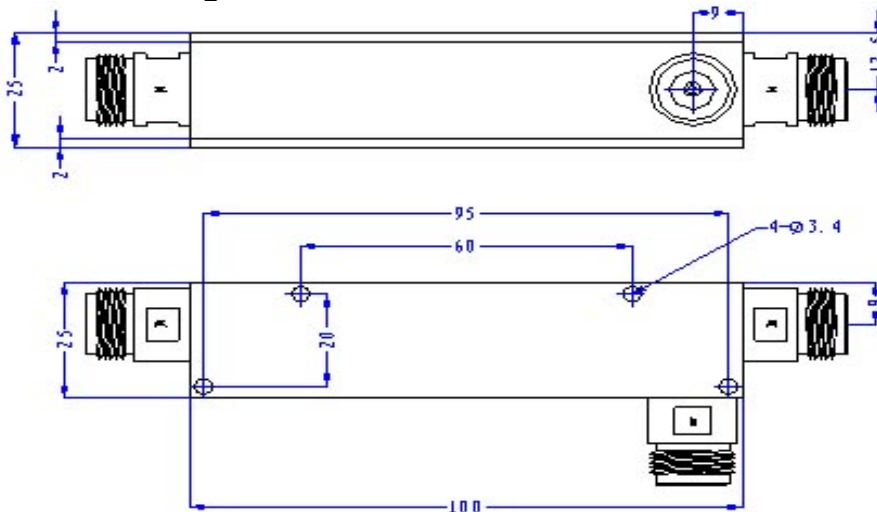
PART NUMBER	FREQ.RANGE	COUPLING	FREQ.SENSITIVITY (dB)	VSWR	IL*	ISOLATION	POWERHANDLING
CMID-B201-5	0.8~2.5GHz	5±0.5dB	±0.5	1.25	2.2dB	25dB	30W
CMID-B201-6		6±0.5dB	±0.5	1.25	1.9dB	26dB	30W
CMID-B201-7		7±0.5dB	±0.5	1.25	1.4dB	27dB	30W
CMID-B201-10		10±0.5dB	±0.5	1.25	0.9dB	30dB	50W
CMID-B201-15		15±1dB	±0.5	1.25	0.5dB	35dB	50W
CMID-B201-20		20±1dB	±0.5	1.25	0.4dB	40dB	50W

**Notes:**

\* INSERTION LOSS: The difference of the measured power at the output port of a coupler, relative to the power at the input port with all other ports terminated into 50 ohms. The measurement includes any power routed or lost to the coupled port.

\*\*All published specifications apply by using a matched designed test fixture with testing performed at 23°C. Tests include VSWR, insertion loss, isolation, phase balance and amplitude balance. All measurements are performed in a 50 ohm impedance test system.

**Outline Drawing:**



**CALL OUR SALES DEPARTMENT FOR MORE INFORMATION OR VARIATIONS OF THIS PRODUCT.**

**Corry Micronics, Inc. One Plastics Rd. - Corry, PA 16407  
(814) 664-7728 Fax (814) 664-4582 [www.cormic.com](http://www.cormic.com)**

Corry Micronics Inc. herein referred to CMI, believes this information to be accurate, but makes no warranties, expressed or implied as to the accuracy of this document. CMI assumes no liability for any injury, loss, damage, direct or consequential arising from the use of our products. User assumes all risk whatsoever in connection with it's intended use. CMI also reserves the right to change this document without notice.

### High Power Directional Couplers (N Type)

The CMI-DD series of Directional Couplers is a tapered strip line design for indoor applications covering The wireless services from 800 to 2,200 MHz. Units couple off a defined fraction of signal with minimal reflections or loss. Each model is available with or without an internal 4th port termination.



#### Specifications:

Part Number	Frequency Range	Nominal Coupling	Coupling Accuracy (Max.)	Insertion Loss(Max.) dB	Mainline VSWR (Max.)	Coupling VSWR (Max.)	Directivity (Min.) dB	Power Handling W	Connectors
CMID-D01-20	0.7~1.1GHz	20dB±1dB	±0.5dB	0.4dB	1.2	1.2	20dB	100W	N-F
CMID-D01-30		30dB±1dB	±0.5dB	0.4dB	1.2	1.2	20dB	150W	N-F
CMID-D01-40		40dB±1dB	±0.5dB	0.4dB	1.2	1.2	20dB	150W	N-F
CMID-D01-50		50dB±1dB	±0.5dB	0.4dB	1.2	1.2	20dB	150W	N-F
CMID-D02-20	1.7-2.5GHz	20dB±1dB	±0.5dB	0.4dB	1.2	1.2	20dB	100W	N-F
CMID-D02-30		30dB±1dB	±0.5dB	0.4dB	1.2	1.2	20dB	150W	N-F
CMID-D02-40		40dB±1dB	±0.5dB	0.4dB	1.2	1.2	20dB	150W	N-F
CMID-D02-50		50dB±1dB	±0.5dB	0.4dB	1.2	1.2	20dB	150W	N-F

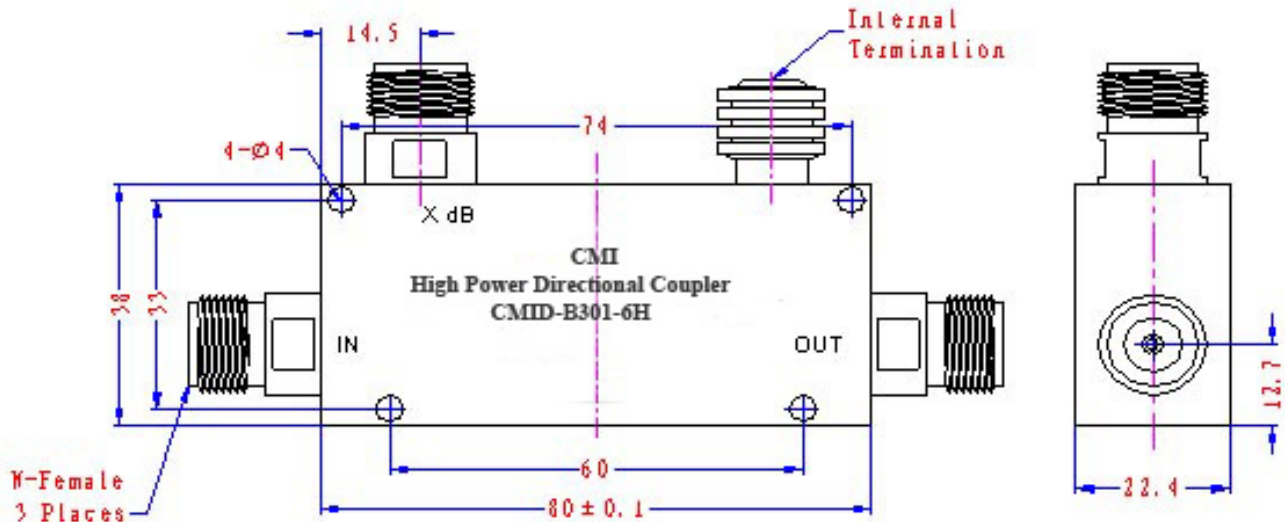
#### Note:

The Bandwidth can be 0.8~2.2GHz, the power handling ability can be higher to 500 Watts, Please contact the factory to discuss your requirements.

**CALL OUR SALES DEPARTMENT FOR MORE INFORMATION OR VARIATIONS OF THIS PRODUCT.**

**Corry Micronics, Inc. One Plastics Rd. - Corry, PA 16407**  
**(814) 664-7728 Fax (814) 664-4582 [www.cormic.com](http://www.cormic.com)**

Corry Micronics Inc. herein referred to CMI, believes this information to be accurate, but makes no warranties, expressed or implied as to the accuracy of this document. CMI assumes no liability for any injury, loss, damage, direct or consequential arising from the use of our products. User assumes all risk whatsoever in connection with it's intended use. CMI also reserves the right to change this document without notice.



### Specifications:

Part Number	Frequency Range	Nominal Coupling	Coupling Accuracy (Max.)	Insertion Loss (Max.) dB	Mainline VSWR (Max.)	Coupling VSWR (Max.)	Directivity (Min.) dB	Power Handling W	Connectors
CMIDC-B201-5	0.8~2.5GHz	5dB±1dB	±0.5dB	0.4dB	1.2	1.2	20dB	100W	N-F
CMIDC-B201-7		7dB±1dB	±0.5dB	0.4dB	1.2	1.2	20dB	150W	N-F
CMIDC-B201-10		10dB±1dB	±0.5dB	1.0dB	1.2	1.2	25dB	150W	N-F
CMIDC-B201-15		15dB±1dB	±0.5dB	0.6dB	1.2	1.2	30dB	150W	N-F
CMIDC-B201-20		20dB±1dB	±0.5dB	0.5dB	1.2	1.2	35dB	200W	N-F

### Notes:

INSERTION LOSS (Excluding coupled power)

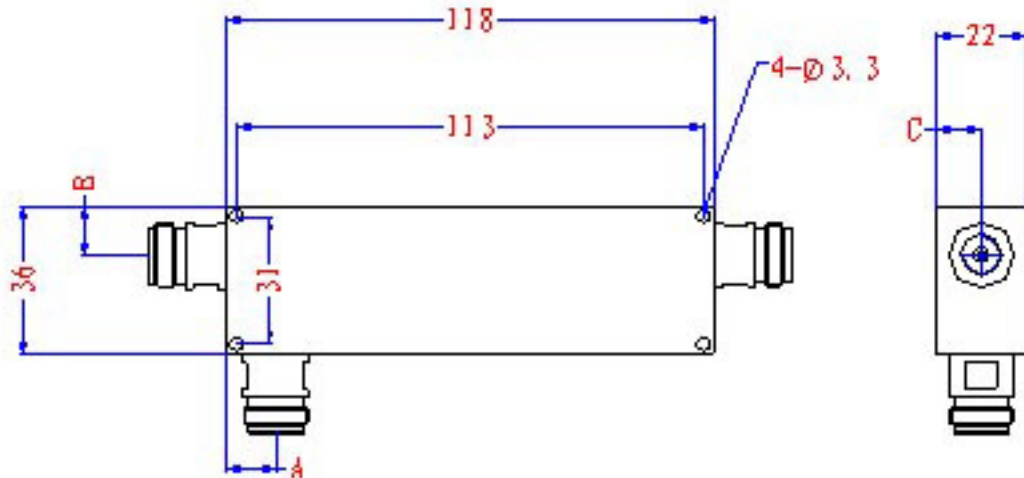
Given for reference only, a value which is the internal power dissipation of the device not including the power routed to other ports.

\*\*All published specifications apply by using a matched designed test fixture with testing performed at 23°C. Tests include VSWR, insertion loss and isolation. All measurements are performed in a 50 ohm impedance test system.

**CALL OUR SALES DEPARTMENT FOR MORE INFORMATION OR VARIATIONS OF THIS PRODUCT.**

**Corry Micronics, Inc. One Plastics Rd. - Corry, PA 16407  
(814) 664-7728 Fax (814) 664-4582 [www.cormic.com](http://www.cormic.com)**

Corry Micronics Inc. herein referred to CMI, believes this information to be accurate, but makes no warranties, expressed or implied as to the accuracy of this document. CMI assumes no liability for any injury, loss, damage, direct or consequential arising from the use of our products. User assumes all risk whatsoever in connection with it's intended use. CMI also reserves the right to change this document without notice.



PART #	A (unit: mm)	B (unit: mm)	C (unit: mm)
CMIDC-B201-5	12.2	12	11
CMIDC-B201-7	13.3	12	11
CMIDC-B201-10	12.7	12	11
CMIDC-B201-15	12.75	14	11.5
CMIDC-B201-20	12	12	11

**CALL OUR SALES DEPARTMENT FOR MORE INFORMATION OR VARIATIONS OF THIS PRODUCT.**

**Corry Micronics, Inc. One Plastics Rd. - Corry, PA 16407**  
**(814) 664-7728 Fax (814) 664-4582 [www.cormic.com](http://www.cormic.com)**

Corry Micronics Inc. herein referred to CMI, believes this information to be accurate, but makes no warranties, expressed or implied as to the accuracy of this document. CMI assumes no liability for any injury, loss, damage, direct or consequential arising from the use of our products. User assumes all risk whatsoever in connection with it's intended use. CMI also reserves the right to change this document without notice.